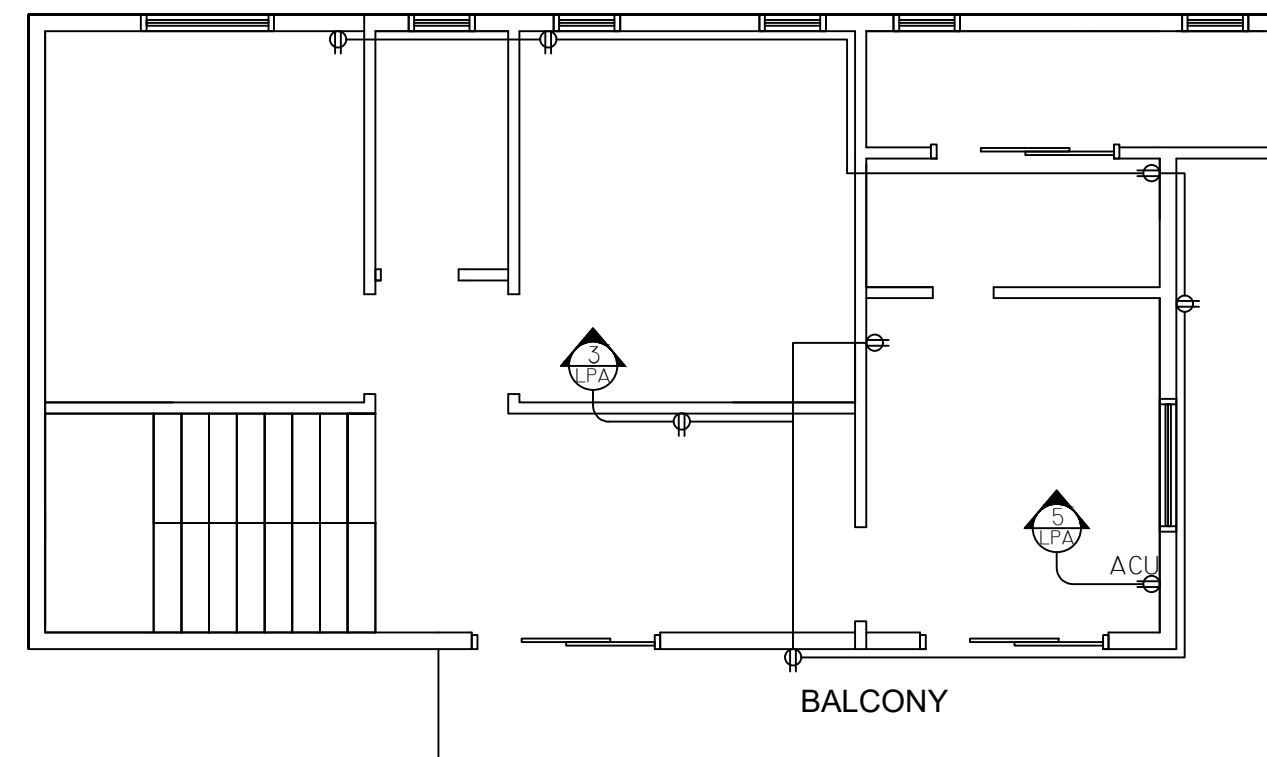


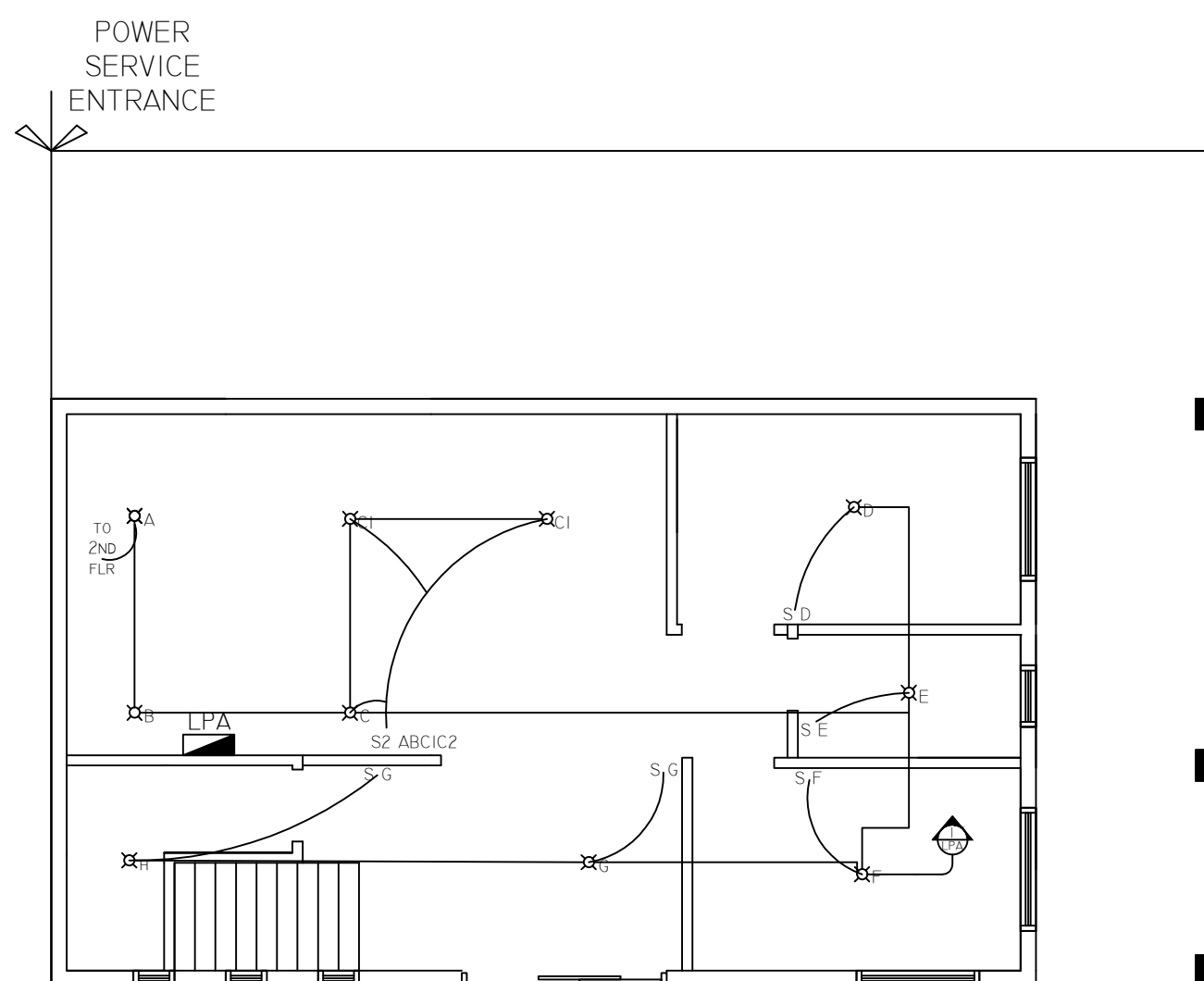
GROUND FLOOR
POWER LAYOUT

A
E-I
SCALE 1:100M



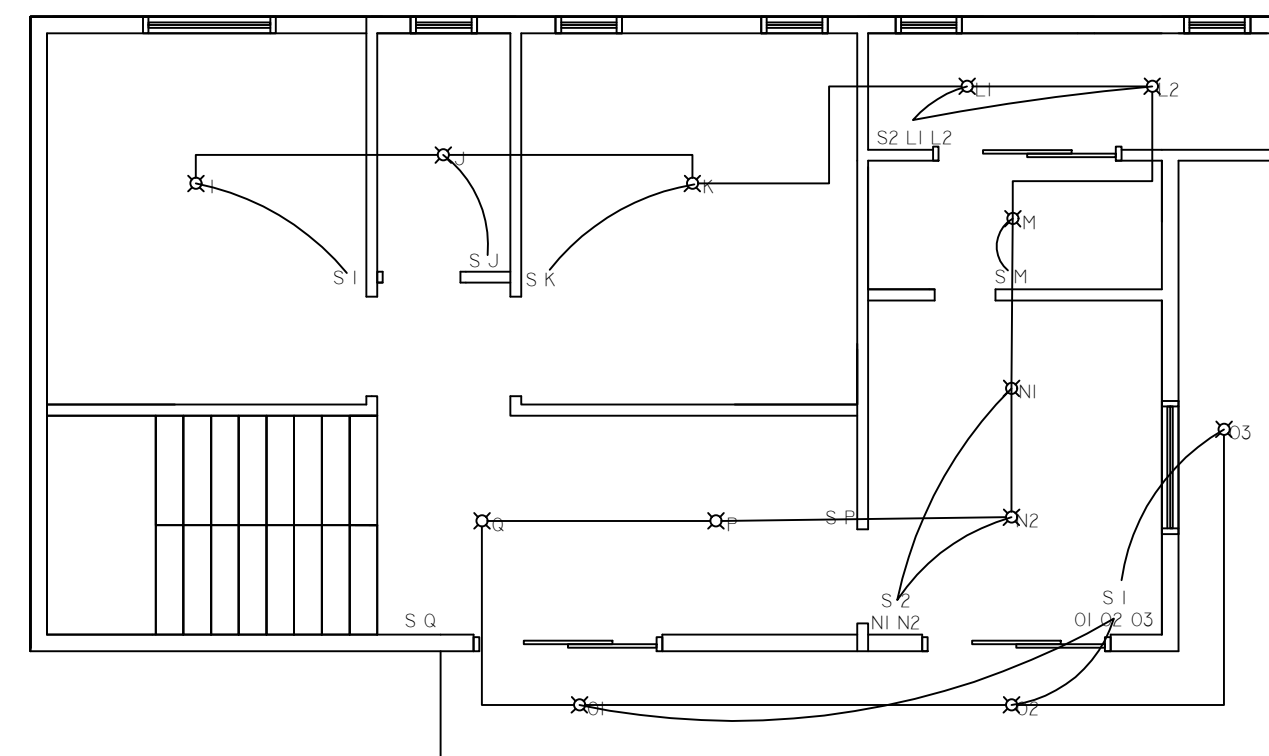
SECOND FLOOR
POWER LAYOUT

B
E-I
SCALE 1:100M



GROUND FLOOR
LIGHTING LAYOUT

E
E-I
SCALE 1:100M

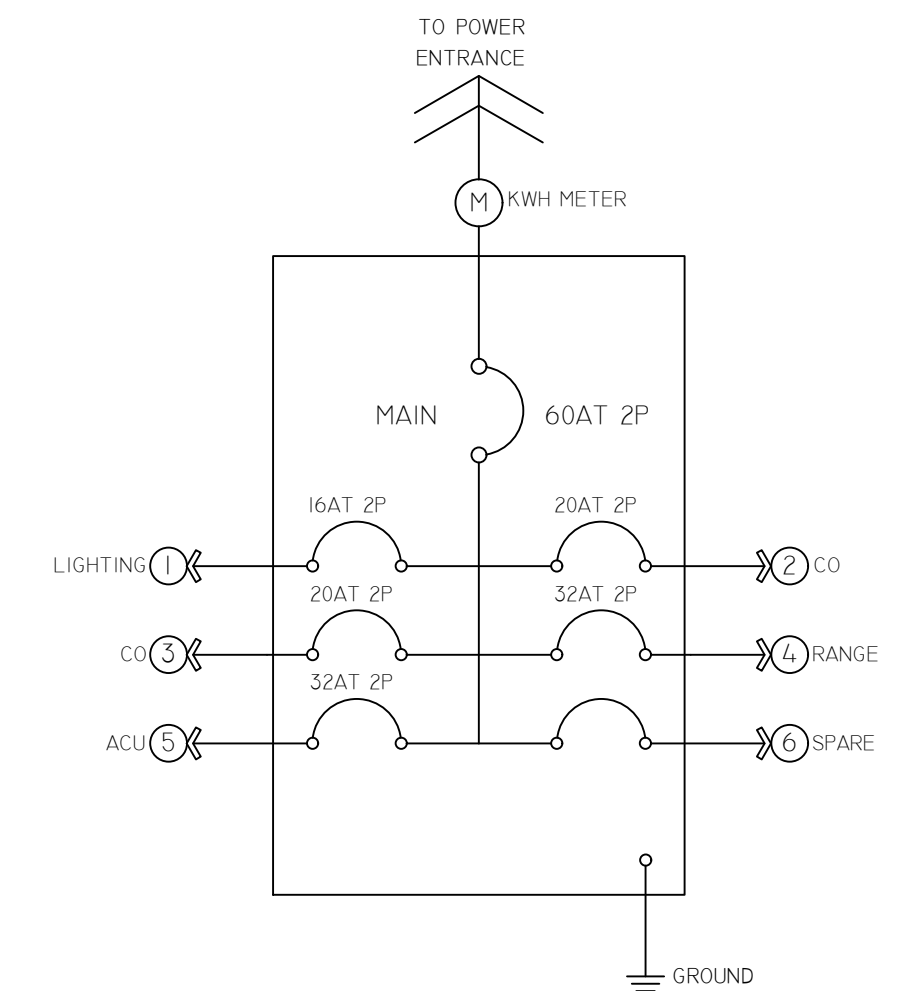


SECOND FLOOR
LIGHTING LAYOUT

F
E-I
SCALE 1:100M

H GENERAL NOTES & SPECIFICATIONS

- ALL ELECTRICAL WORKS HEREIN SHALL BE DONE IN ACCORDANCE WITH THE PROVISIONS OF THE LATEST EDITION OF THE PHILIPPINE ELECTRICAL CODE, THE LAWS, ORDINANCE OF THE LOCAL CODE ENFORCING AUTHORITIES AND THE REQUIREMENTS OF THE LOCAL POWER AND TELEPHONE COMPANY.
- SERVICE POWER SHALL BE SINGLE PHASE, 3-WIRES WITH GROUND, 230 VOLTS, 60 HERTZ SYSTEM.
 - WIRING METHOD SHALL BE DONE IN PVC CONDUIT FOR LIGHTING, POWER AND AUXILIARY SYSTEM, RIGID STEEL CONDUIT (RSC) FOR SERVICE ENTRANCE.
 - SMALLEST BRANCH CIRCUIT WIRE SHALL BE 3.5MM² THIN FOR POWER AND LIGHTING SYSTEM IN RACEWAY 15MM² TRADE SIZE CONDUIT. WIRE SHALL BE INSULATED FOR 600 VOLTS.
 - ALL BRANCH CIRCUIT HOMERUN SHALL BE INSTALLED AS INDICATED IN THE PLAN. EXPOSED CIRCUIT RUN SHALL BE INSULATED PARALLEL TO OR PERPENDICULAR WITH THE BUILDING LINE AND SUPPORTED BY CONDUIT CLAMPS EVERY 1.5 METERS.
 - WHENEVER NECESSARY PULLBOX OF PROPER SIZE AND DIMENSION SHALL BE PROVIDED ALTHOUGH NOT INDICATED IN THE PLAN. ALL JUNCTION BOX SHALL BE PROVIDED WITH METAL PLATE COVER.
 - ALL FLUORESCENT LAMPS SHALL BE PRE-HEAT TYPE WITH HIGH POWER FACTOR BALLAST, CAPACITOR AND SPRING LOADED LAMP HOLDERS.
 - ALL LIGHT CONTROLLED SWITCHES SHALL BE RATED 15 AMPS, 220VAC ONLY. SWITCHES SHALL BE INSTALLED FOR OPERATION WITH HORIZONTAL MOTION.
 - ALL PANELBOARD SHALL BE PROVIDED WITH GROUNDING TERMINALS, GROUNDING SYSTEM SHALL BE CONNECTED TO A GROUNDING SYSTEM.
 - ALL BRANCH CIRCUIT HOMERUN FOR POWER AND LIGHTING SHALL NOT BE COMBINED IN THE SAME RACEWAY.
 - ALL METALLIC CONDUIT, CABINETS, BOXES AND EQUIPMENT SHALL BE PROPERLY GROUNDING AND BONDED.
 - ALL MATERIALS TO BE USED SHALL BE NEW AND APPROVED FOR THE LOCATION AND PURPOSES.
 - BOXES SHALL BE MADE OF CODE GAUGE STEEL WITH ZINC CHROMATE PROTECTION.
 - ALL RECEPTACLE OUTLET SHALL BE PROPERLY GROUNDING TO THE BOX BY MEANS OF GROUNDING LUGS.
 - MOUNTING HEIGHTS NOT SHOWN ON SCHEDULES ARE AS FOLLOWS:
 - LIGHT CONTROLLED SWITCH - 1.40M ABOVE FFL
 - DUPLEX CONVENIENCE OUTLET - 0.30M ABOVE FFL
 - TELEPHONE OUTLET - 0.30M ABOVE FFL
 - PANELBOARD / DISCONNECT - 1.40M ABOVE FFL @ CENTER UNLESS OTHERWISE INDICATED
 - CONDUIT SLEEVES AND FLOOR SLOT PENETRATION THROUGH ELECTRICAL AND TELEPHONE ROOM, ROOM, WALLS AND CLOSET SPACES SHALL BE PROPERLY SEALED-OFF WITH THE FIRE RETARDANT MATERIALS TO MAINTAIN FIRE RESISTIVE RATINGS OF THE FLOOR OPENING.
 - THE ELECTRICAL CONTRACTOR SHALL SECURE ALL WIRING PERMITS AND ALL FEES REQUIRED FOR THE WORK AND SHALL FURNISH THE OWNER THROUGH THE ENGINEERS. FINAL CERTIFICATES OF ELECTRICAL INSPECTION AND APPROVAL FROM PROPER GOVERNMENT AUTHORITIES FOR COMPLETED WORK.
 - ANY DISCREPANCIES BETWEEN PLANS AND SPECIFICATION SHALL BE REFER TO ENGINEER AND/OR ARCHITECT.
 - THE ELECTRICAL CONTRACTOR SHOULD REFER TO ARCHITECTURAL DRAWINGS FOR THE EXACT LOCATION AND MOUNTING HEIGHT OF ALL VISIBLE WIRING DEVICES, LIGHTING FIXTURES AND THE LIKES.
 - THE ELECTRICAL CONTRACTOR SHALL PROVIDE SHOP DRAWING IN ANY CHANGES IN MOUNTING HEIGHT OR LOCATION FOR THE APPROVAL OF ARCHITECT OR ENGINEER.
 - ALL ELECTRICAL WORKS HEREIN SHALL BE DONE UNDER THE DIRECT AND IMMEDIATE SUPERVISION OF A DULY QUALIFIED LICENSED ELECTRICAL ENGINEER.



I
E-I
PANELBOARD DETAIL, LPA

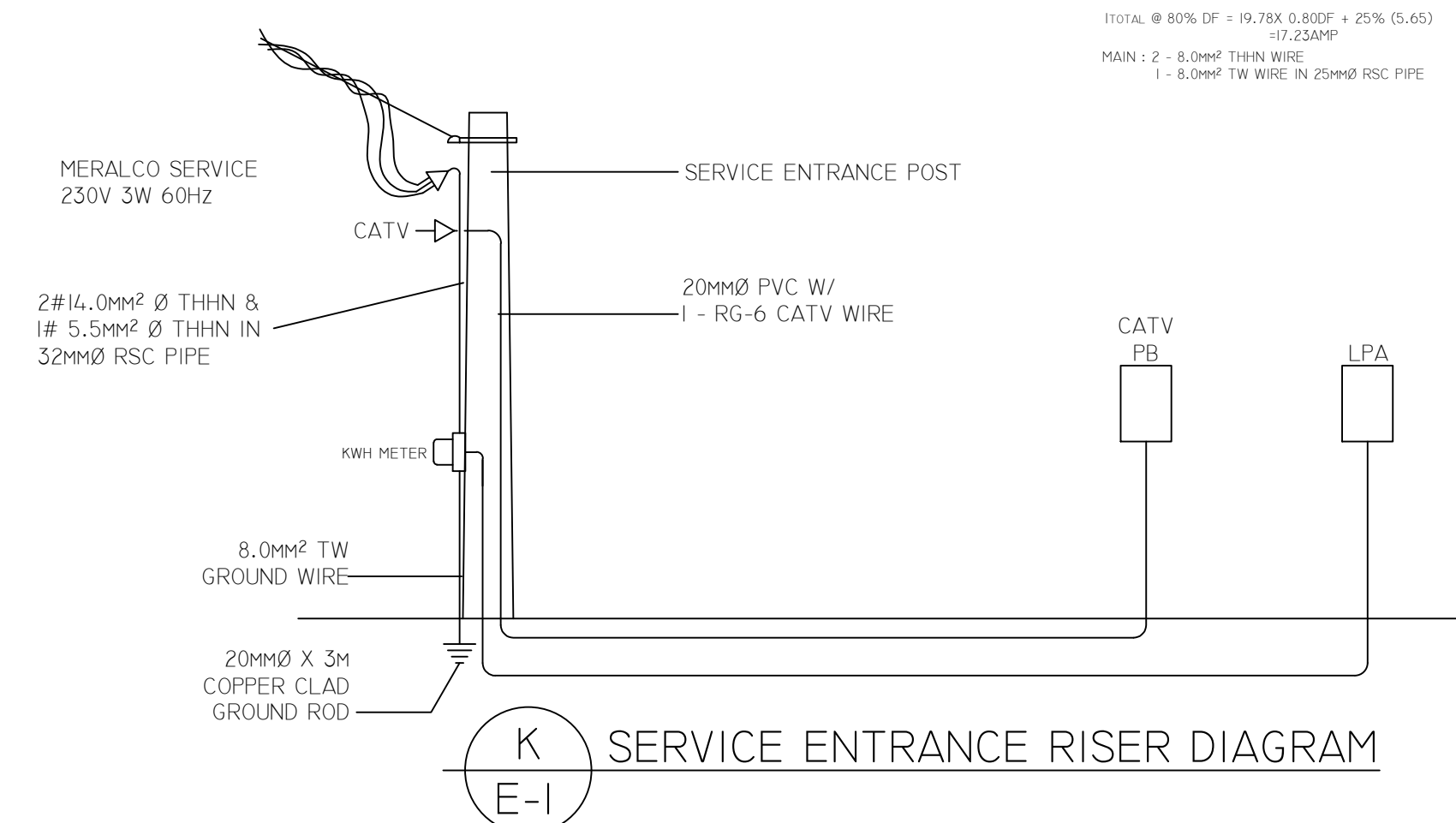
J LOAD COMPUTATION, LPA

CKT. NO.	LOAD DESCRIPTION	VOLTS	WATTS	CB RATING			WIRE/CONDUIT SIZE	BREAKER SIZE
				AT	POLE	TYPE		
1	19 LIGHTING OUTLET	230	370	1.61	2	MINIATURE BREAKER	2-3.5MM ² THIN IN 15MM PVC	16A
2	9 CONVENIENCE OUTLET	230	1300	5.65	2		2-3.5MM ² THIN IN 20MM PVC	20A
3	8 CONVENIENCE OUTLET	230	800	3.47	2		2-3.5MM ² THIN IN 20MM PVC	20A
4	RANGE	230	1000	4.35	2		2-5.5MM ² THIN + 2.00MM ² TW IN 20MM PVC	32A
5	ACU	230	1180	5.13	2		2-5.5MM ² THIN + 2.00MM ² TW IN 20MM PVC	32A
6	SPARE							

20.21AMP

G LEGENDS & SYMBOLS

	PANELBOARD
	9W LED
	KWH METER
	CONVENIENCE OUTLET
	REF CONVENIENCE OUTLET
	ACU CONVENIENCE OUTLET
	WEATHERPROOF OUTLET
	TELEPHONE OUTLET
	CATV OUTLET
	ONE-GANG SWITCH
	TWO-GANG SWITCH
	THREE-GANG SWITCH
	3-WAY SWITCH
	DOORBELL



K
E-I
SERVICE ENTRANCE RISER DIAGRAM

REPUBLIC ACT 9266

Sec. 33. Ownership of Plans, Specifications, and Other Contract Documents.

Drawings and specifications and other contract documents duly signed, stamped or sealed, as instruments of service, are the intellectual property and documents of the Architect, whether the object for which they are made is executed or not. It shall be unlawful for any person to duplicate or to make copies of said documents for use in the repetition of and for other projects or buildings, whether executed partly or in whole, without the written consent of Architect or author of said documents.

PROJECT NAME:
PROPOSED EXTENSION

DRAWING TITLE:
AS SHOWN

DRAWN BY: CHECKED BY: APPROVED BY: DATE:

CLIENT NAME & ADDRESS

CHECKED AND VERIFIED BY :

ELECTRICAL ENGINEER

PRC REG. NO : PTR NO. :
VALID UNTIL : DATE ISSUED :
TIN NUMBER : PLACE ISSUED :

PROJECT NO: SCALE: SHEET SIZE: A1

DRAWING NO: SHEET NO: 1 OF 1

REVISION: PROJECT NO: